

# Craftmade

CEILING FANS

Est. 1985

READ THESE INSTRUCTIONS AND  
SAVE THEM FOR FUTURE USE



## Bellows I

# Installation Guide

For Models:

BW116AG3-HW

BW116SS3-HW

### Table of Contents:

Safety Tips. pg. 1

Unpacking Your Fan. pg. 2

Parts Inventory. pg. 2

Installation Preparation. pg. 3

Installation of Wall Bracket. pgs. 3 - 4

Wiring. pgs. 4 - 5

Installation of Fan. pg. 6

Wall Control Operation. pg. 6

Testing Your Fan. pg. 7

Troubleshooting. pg. 7

Warranty. pg. 7

Parts Replacement. pg. 7



**Intertek**  
3170356

net weight of fan: 14.33 lb (6.5 kg)

PRINTED IN CHINA

## SAFETY TIPS.

**WARNING:** To reduce the risk of electrical shock, turn off the electricity to the fan at the main fuse box or circuit panel before you begin the fan installation or before servicing the fan or installing accessories.

1. **READ ALL INSTRUCTIONS AND SAFETY INFORMATION CAREFULLY BEFORE INSTALLING YOUR FAN AND SAVE THESE INSTRUCTIONS.**

**CAUTION:** To avoid personal injury, the use of gloves may be necessary while handling fan parts with sharp edges.

**CAUTION:** To reduce the risk of personal injury, mount the fan base to a stud, wood post or beam using the hardware provided with your fan.

2. Make sure all electrical connections comply with Local Codes or Ordinances, the National Electrical Code, and ANSI/NFPA 70-1999. If you are unfamiliar with electrical wiring, please use a qualified electrician.
3. Make sure you have a location selected for your fan that allows clear space for the fan to rotate and at least seven (7) feet (2.13 meters)\* of clearance between the floor and the fan.  
\*Please note that in Canada, it must be 8.3 feet (2.53 meters) of clearance.

**WARNING:** The stud, wood post or beam on which the fan will be installed must be securely mounted and capable of supporting at least 50 pounds (22,68 kilograms). The stud or wood beam must be supported directly by the building structure.

**WARNING:** Support Fan Directly from Building Structure. To avoid personal injury, damage to fan and possible electrical shock and/or fire, do NOT install fan directly to Sheetrock™ (drywall); fan must first be secured to appropriate size stud or wood beam underneath.

**WARNING:** If using this fan in a DAMP location, this fan must be connected to a supply circuit that is protected by a Ground Fault Circuit Interrupter (GFCI) to reduce the risk of personal injury, electrical shock or death.

4. After installation is complete, check that all connections are absolutely secure.
5. Do not insert anything between the fan blades while they are rotating.

**WARNING:** To reduce the risk of personal injury or electrical shock, the fan should be installed where it will be out of reach of children. The fan is **NOT** a toy--**DO NOT** play with the fan or allow anyone else to play with the fan.

**WARNING:** To reduce the risk of personal injury, do not bend the blade arms. Do not insert objects into the path of the blades.

**WARNING:** To avoid personal injury or damage to the fan and other items, be cautious when working around or cleaning the fan.

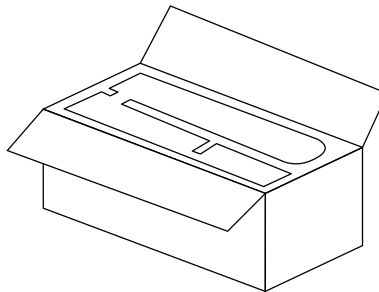
6. Do not use water or detergents when cleaning the fan or fan blades. A dry dust cloth or lightly dampened cloth will be suitable for most cleaning.

**WARNING:** To reduce the risk of personal injury, use **only** parts provided with this fan. **The use of parts OTHER than those provided with this fan will void the warranty.**

**NOTE:** The important safety precautions and instructions appearing in the manual are not meant to cover all possible conditions and situations that may occur. It must be understood that common sense and caution are necessary factors in the installation and operation of this fan.

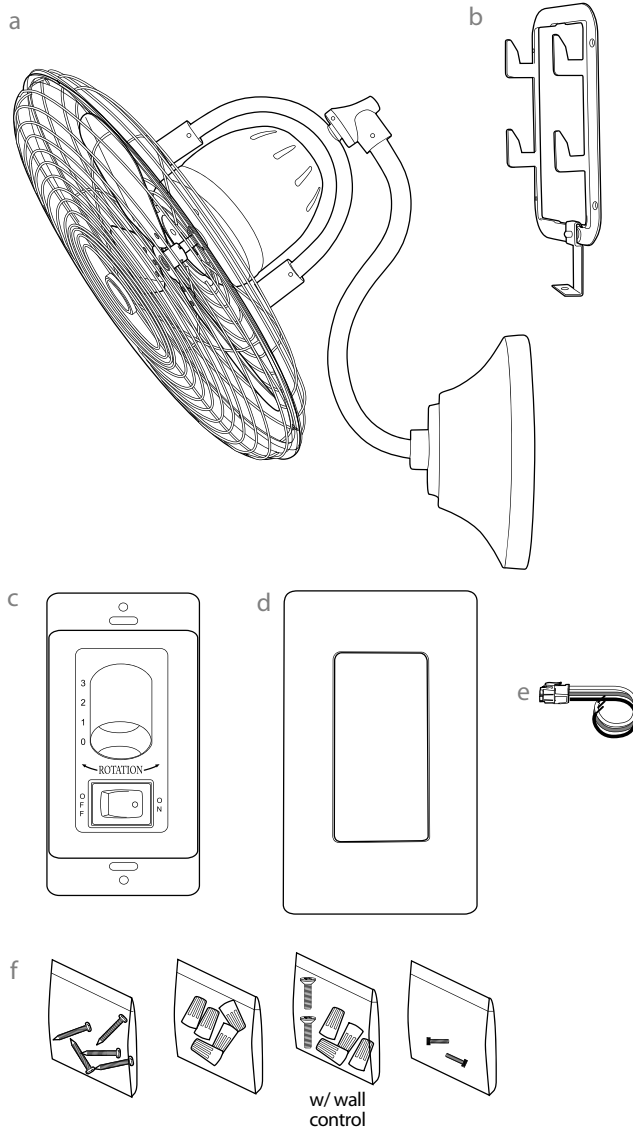
# 1. Unpacking Your Fan.

Carefully open the packaging. Remove items from Styrofoam inserts. Remove fan assembly and place on carpet or Styrofoam to avoid damage to finish. Do not discard fan carton or Styrofoam inserts should this fan need to be returned for repairs. Check against parts inventory that all parts have been included.



# 2. Parts Inventory.

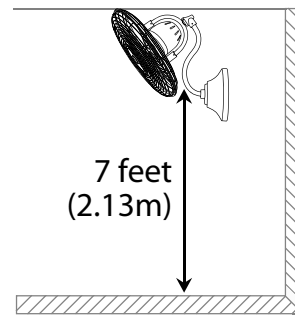
- a.** fan assembly. 1 piece
- b.** wall bracket. 1 piece
- c.** wall control. 1 piece
- d.** plate. 1 piece
- e.** 4-wire plug. 1 piece
- f.** hardware packs



**⚠ IMPORTANT REMINDER:** You must use the parts provided with this fan for proper installation and safety. **⚠**

### 3. Installation Preparation.

To prevent personal injury and damage, ensure that the hanging location allows the fan a clearance of 7 feet (2.13m) from the floor to prevent accidental contact with the fan blades.

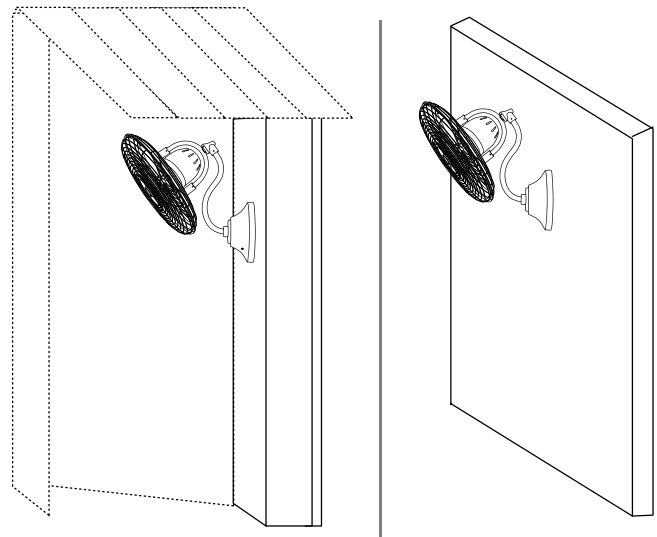


*This fan can only be mounted on an **INDOOR wall** or on an **ENCLOSED porch** or **ENCLOSED patio wall**.*

**CAUTION:** If you are going to attach the fan to a wood stud or wood post, the stud or wood post must be wide enough and thick enough to sustain the wall bracket and the weight of the fan.

**Installation requires these tools:**

Phillips screwdriver, flathead screwdriver, adjustable pliers or wrench and stepladder



**ENCLOSED porch or ENCLOSED patio wall installation**

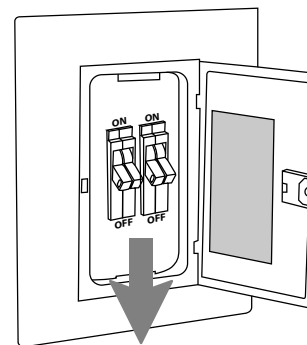
**INDOOR wall installation**

### 4. Installation of Wall Bracket.

Turn off circuit breakers to current fixture from breaker panel and be sure operating light switch is turned to the OFF position.

**WARNING:** Failure to disconnect power supply prior to installation may result in serious injury.

**["Installation of Wall Bracket" continued on following page.]**



## 4. Installation of Wall Bracket. (cont.)

First determine the approximate position of where you want the fan to be located on the wall. [Remember that the fan must be mounted at least 7 feet (2.13m) from the floor.]

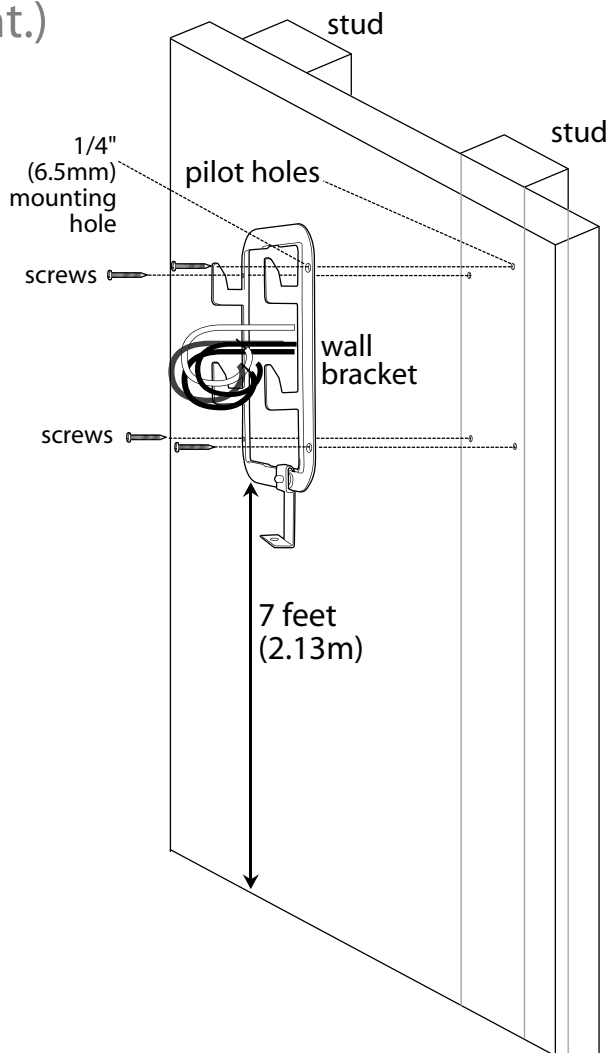
**NOTE:** Ensure there is an electrical source near the approximate location, such as an existing outlet box or an electrical outlet, as you will need to pull the supply wires through the opening in the middle of the wall bracket.

You **MUST** use **ALL FOUR** holes in wall bracket when installing wall bracket. Position wall bracket on wood stud or wood post and mark 4 hole locations.

Drill 4 **pilot holes** over holes marked onto mounting surface. Position wall bracket over pilot holes and install screws (provided in hardware pack) into each hole.

**ALTERNATE CONCRETE WALL INSTALLATION:** Use all 4 mounting 1/4" (6.5mm) holes when installing wall bracket on a concrete wall. The 3/16 in. (5mm) concrete wall anchors necessary for this type of installation are **NOT** provided and must be purchased separately. **Make sure that concrete wall anchors can support a total of 80 lbs.**

**WARNING:** It is very important you use the proper hardware when installing the wall bracket as this will support the fan.



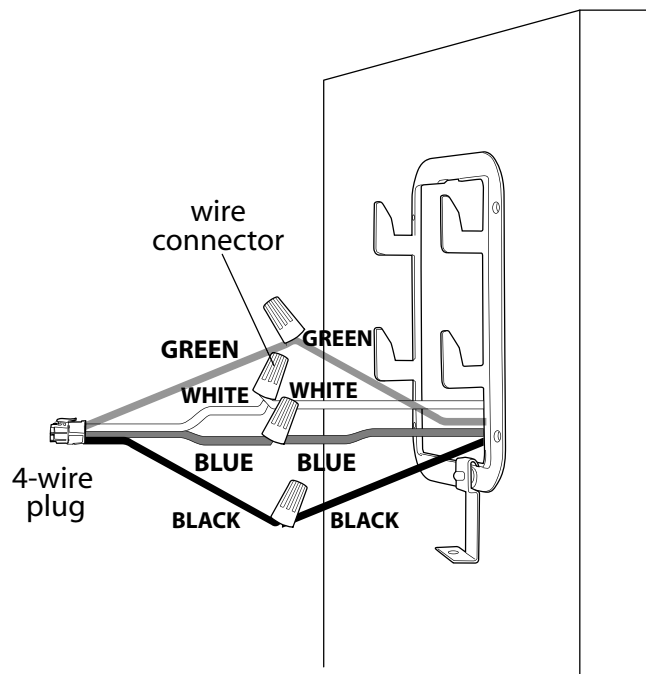
## 5. Wiring.

Make sure all electrical connections comply with Local Codes or Ordinances and the National Electrical Code (or the Canadian Electric Code). If you are unfamiliar with electrical wiring or if the house/building wires are different colors than those referred to below, please use a qualified electrician.

**WARNING:** If using this fan in a DAMP location, this fan must be connected to a supply circuit that is protected by a Ground Fault Circuit Interrupter (GFCI) to reduce the risk of personal injury, electrical shock or death.

Attach wires from 4-wire plug to the supply wires (from the wall) as follows:

Connect **GREEN** wire from 4-wire plug to **GREEN/BARE** wire from wall with wire connector provided.  
Connect **BLACK** wire from 4-wire plug to **BLACK** wire from wall with wire connector provided. Connect **WHITE** wire from 4-wire plug to **WHITE** wire from wall with wire connector provided. Connect **BLUE** wire from 4-wire plug to **BLUE** wire from wall with wire connector provided.



## 5. Wiring. (cont.)

**IN ORDER TO WIRE WALL CONTROL**, remove existing wall switch. Wire the **WALL CONTROL** with wire connectors provided as shown in *diagram at right*.

\* Wrap each wire connector separately with electrical tape as an extra safety measure. Gently push wires and taped wire connectors into outlet box.

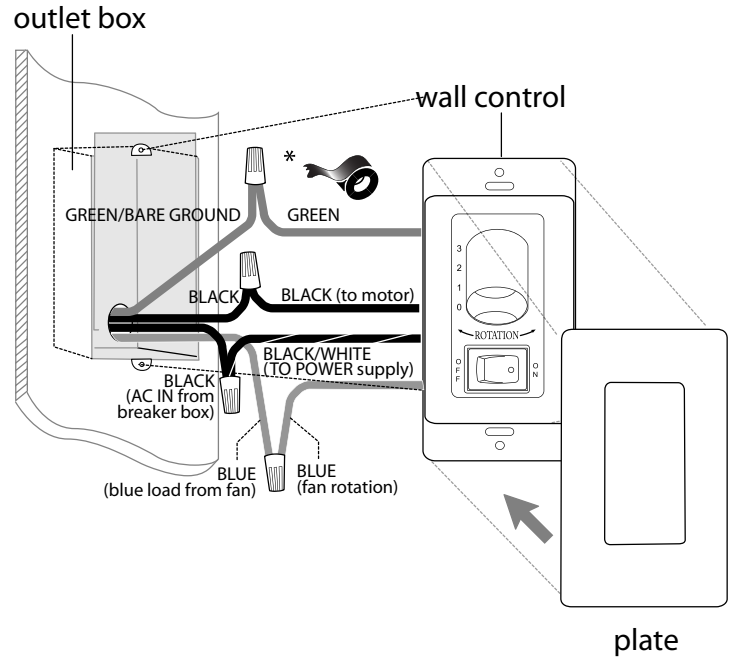
**WARNING: CONNECT WIRES IN THE FOLLOWING ORDER ONLY!**

Connect **GREEN** ground wire to ground from house or directly to one of the screws from the outlet box.

Connect **BLACK/WHITE** wire from wall control to **BLACK** (hot) lead wire from house.

Connect **BLACK** wire from wall control to **BLACK** load wire to fan..

Attach wall control to outlet box and secure with screws from original wall switch. Attach front plate to wall control using 2 screws provided in the wall control.



Modifications not approved by the party responsible for compliance could void the user's authority to operate the equipment.

\*NOTE: This equipment has been tested and found to comply with the limits for a Class B digital device, pursuant to Part 15 of the FCC Rules. These limits are designed to provide reasonable protection against harmful interference in a residential installation. This equipment generates, uses and can radiate radio frequency energy and, if not installed and used in accordance with the instructions, may cause harmful interference to radio communications. However, there is no guarantee that interference will not occur in a particular installation. If this equipment does cause harmful interference to radio or television reception, which can be determined by turning the equipment off and on, the user is encouraged to try to correct the interference by one or more of the following measures:

- \* Reorient or relocate the receiving antenna.
- \* Increase the separation between the equipment and receiver.
- \* Connect the equipment into an outlet on a circuit different from that to which the receiver is connected.

Consult the dealer or an experienced radio/TV technician for help.

## 6. Installation of Fan.

**Tip:** Seek the help of another person to hold the stepladder in place and to help lift the fan up to you once you are set on the ladder.

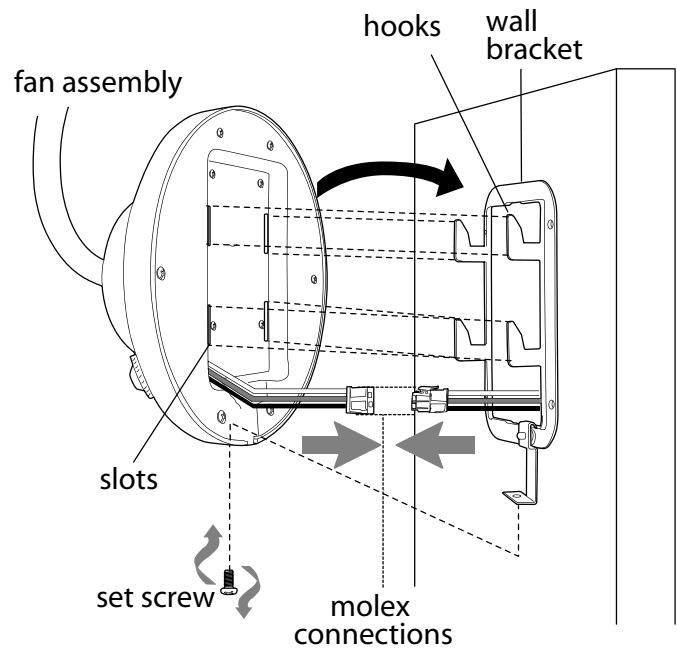
Remove set screw at bottom of fan assembly. With the wall bracket secured to the wall and able to support the fan, you are now ready to hang the fan.

Connect 4-wire plug from inside of fan assembly to 4-wire plug from wall. Be sure molex connections snap together securely.

Grab the fan firmly with two hands. Align the 4 slots in the middle of the back of the fan assembly with the 4 hooks on the wall bracket and then pull down firmly on fan assembly.

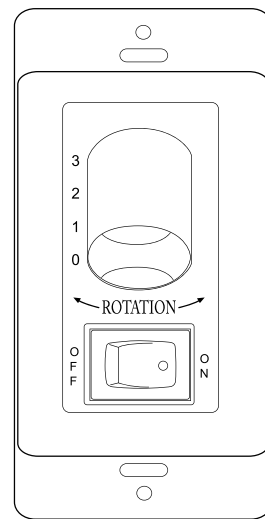
**WARNING:** Make sure that all 4 hooks on the wall bracket have engaged completely with the 4 slots in the fan assembly and that the fan assembly is stable.

Replace set screw at bottom of wall bracket--*be sure to securely tighten set screw.*



## 7. Wall Control Operation.

- 0** - turns fan OFF
- 1** - turns fan to LOW speed
- 2** - turns fan to MEDIUM speed
- 3** - turns fan to HIGH speed
- ON** - turns *oscillation* ON
- OFF** - turns *oscillation* OFF



## 8. Testing Your Fan.

It is recommended that you test fan before finalizing installation. Restore power from circuit box. Test fan speeds with wall control. Start at the OFF ("0") position (no blade movement) and try each of the 3 different fan speeds. Test oscillation function with the ON/OFF button.

If fan does not function properly, please refer to "Troubleshooting" section to solve any issues before contacting Customer Service.

## Troubleshooting.

**WARNING:** Failure to disconnect power supply prior to troubleshooting any wiring issues may result in serious injury.

**Problem:** Fan fails to operate.

**Solutions:**

1. Check power to wall switch.
2. Check to be sure wall control is wired properly.
3. Verify that dial on wall control is set on High (3), Medium (2), or Low (1) speed.
4. Check to be sure that the 4-wire plug is wired properly.
5. Verify that mox connections from the fan to the wall are connected properly.

**Problem:** Fan fails to oscillate.

**Solutions:**

1. Check power to wall switch.
2. Verify that button on wall control is set to the ON position.

**Problem:** Fan wobbles.

**Solutions:**

1. Check that wall bracket is secure.
2. Check to be sure that fan is securely mounted on wall bracket.
3. Check that set screw at base of wall bracket is securely tightened.

## Warranty.

**CRAFTMADE/ELLINGTON LIFETIME WARRANTY:**

CRAFTMADE/ELLINGTON warrants this fan to the original household purchaser for use in damp locations (which is defined as indoors, enclosed porches or enclosed patios) under the following provisions:

**1-YEAR WARRANTY:** CRAFTMADE/ELLINGTON will replace or repair any fan which has faulty performance due to a defect in material or workmanship. Contact Craftmade/Ellington Customer Service at **1-800-486-4892** to arrange for return of fan. Return fan, shipping prepaid, to Craftmade/Ellington. We will repair or ship you a replacement fan, and we will pay the return shipping cost.

**5-YEAR WARRANTY:** CRAFTMADE/ELLINGTON will repair or replace at no charge to the original purchaser any fan motor that fails to operate satisfactorily when failure results from normal use.

**RETURN FAN MOTOR ONLY,** shipping prepaid, to Craftmade/Ellington. We will repair or ship purchaser a replacement motor and Craftmade/Ellington will pay the return shipping cost.

**6-YEAR to LIFETIME LIMITED WARRANTY:**

CRAFTMADE/ELLINGTON will repair the fan, at no charge for labor only to the original purchaser, if the fan motor fails to operate satisfactorily when failure results from normal use. Parts used in the repair will be billed to the purchaser at prevailing prices at time of repair.

The purchaser shall be responsible for all costs incurred in the removal, reinstallation and shipping of the product for repairs.

This warranty does not apply when damage from outdoor use and/or mechanical, physical, electrical or water abuse results in causing the malfunction. Deterioration of finishes or other parts due to time or exposure to salt air is specifically exempted under this warranty.

Neither Craftmade/Ellington nor the manufacturer will assume any liability resulting from improper installation or use of this product. In no case shall the company be liable for any consequential damages for breach of this, or any other warranty expressed or implied whatsoever. This limitation as to consequential damages shall not apply in states where prohibited.

## Parts Replacement.

For parts and information, please refer to "Parts Inventory" on page 2.

Craftmade/Ellington Customer Support:  
**1-800-486-4892**

[www.craftmadebrands.com](http://www.craftmadebrands.com)

**Craftmade**  
CEILING FANS Est. 1985



# Craftmade

CEILING FANS

Est. 1985

LEER ESTAS INSTRUCCIONES Y  
GUARDARLAS PARA UTILIZACION FUTURA

## Bellows I

### Guía de instalación

Para modelos:

BW116AG3-HW

BW116SS3-HW



#### Índice de materias:

Sugerencias de seguridad. Pág. 1

Desempaquetado del ventilador. Pág. 2

Inventario de piezas. Pág. 2

Preparación para la instalación. Pág. 3

Instalación de la abrazadera de  
pared. Págs. 3 - 4

Instalación eléctrica. Págs. 4 - 5

Instalación del ventilador. Pág. 6

Operación del control de pared. Pág. 6

Verificación del funcionamiento del  
ventilador. Pág. 7

Localización de fallas. Pág. 7

Garantía. Pág. 7

Piezas de repuesto. Pág. 7



peso neto del ventilador: 6,5 kg (14,33 lb)

IMPRESO EN CHINA

# SUGERENCIAS DE SEGURIDAD.

**ADVERTENCIA:** Para evitar la posibilidad de una descarga eléctrica, desconectar la corriente en la caja de fusibles principal o el interruptor protector antes de iniciar la instalación del ventilador o antes de repararlo o instalar accesorios.

1. **LEER TODAS LAS INSTRUCCIONES E INFORMACION DE SEGURIDAD CUIDADOSAMENTE ANTES DE INSTALAR SU VENTILADOR Y GUARDAR ESTAS INSTRUCCIONES.**

**PRECAUCION:** Para reducir el riesgo de daño corporal, es posible que sea necesario usar guantes al manejar las piezas del ventilador que tengan bordes afilados.

**PRECAUCION:** Para reducir el riesgo de daño corporal, sentar la base del ventilador en el entramado, en un poste de madera, o una viga usando los artículos de ferretería provistas con este ventilador.

2. Asegurarse de que todas las conexiones eléctricas cumplan con los Códigos o las Ordenanzas Locales, el Código Nacional Eléctrico y ANSI/NFPA 70-1999. Si usted no está familiarizado con el alambrado eléctrico favor de buscar un electricista calificado.
3. Asegurarse de que haya localizado una ubicación para su ventilador que permite el espacio necesario para la rotación del ventilador y por lo menos 2,13 metros (7 pies)\* de espacio libre entre el piso y el ventilador. [\*Favor de notar que en el Canadá, la distancia libre sobre el piso debe ser de 2,53 metros (8,3 pies).]

**ADVERTENCIA:** El entramado, el poste de madera, o la viga debe estar bien sujetado(a) a la viga de soporte del techo y debe ser capaz de sostener por lo menos 22,68 kilogramos (50 libras). El entramado o el poste de madera debe tener apoyo directo en la estructura del edificio.

**ADVERTENCIA:** Apoyar el Ventilador Directamente en la Estructura del Edificio. Para reducir el riesgo de daño corporal, algún daño al ventilador y la posibilidad de riesgo de incendio y/o una descarga eléctrica, NO instalar el ventilador directamente en el Sheetrock™ o "drywall" (cartón piedra o tablaroca); primeramente el ventilador tiene que estar bien sujeto al tamaño correspondiente de entramado o madera que se encuentre debajo de ello.

**ADVERTENCIA:** Si va a utilizar este ventilador en un lugar HUMEDO, hay que conectar el ventilador a un circuito de alimentación que esté protegido por un Interruptor de Circuito de Falla de Tierra (GFCI, por sus siglas en inglés) para reducir el riesgo de daño corporal, descarga eléctrica o la muerte.

4. Después de haber terminado la instalación, asegurarse de que todas las conexiones estén totalmente seguras.
5. No insertar ningún objeto entre las aspas mientras estén rotando.

**ADVERTENCIA:** Para reducir el riesgo de daño corporal o descarga eléctrica, se debe instalar el ventilador lejos del alcance de los niños. El ventilador **NO** es juguete--**NO** jugar con el ventilador ni permitir que nadie juegue con él.

**ADVERTENCIA:** Para reducir el riesgo de daño corporal, no doblar los brazos de las aspas durante el ensamblaje ni durante la instalación. No insertar objetos entre las aspas mientras estén rotando.

**ADVERTENCIA:** Para reducir el riesgo de daño corporal o algún daño al ventilador, tener cuidado al estar trabajando alrededor del ventilador o limpiándolo.

6. No utilizar agua ni detergentes para limpiar el ventilador ni las aspas. Usar un trapo seco o ligeramente húmedo para su limpieza general.

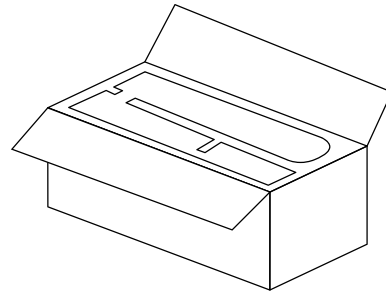
**ADVERTENCIA:** Para reducir el riesgo de daño corporal, usar **sólo** las piezas provistas con este ventilador. **Al usar piezas DISTINTAS a las provistas con este ventilador se invalidará la garantía.**

**NOTA:** No se debe concluir que las precauciones de seguridad importantes e instrucciones en este manual van a abarcar todas las condiciones y situaciones posibles que puedan ocurrir. Se debe entender que el sentido común y la precaución son factores necesarios en la instalación y la operación de este ventilador.

# 1. Desempaquetado del ventilador.

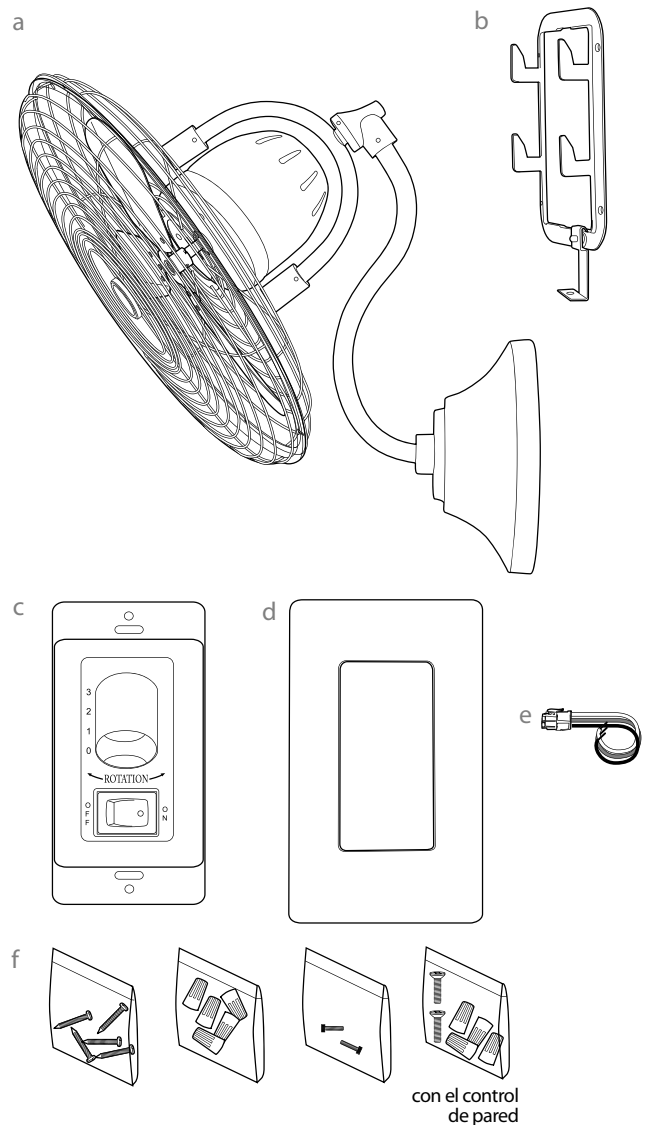
Abrir el empaque cuidadosamente. Sacar los artículos del embalaje. Sacar la unidad del ventilador y ponerlo en una alfombra o en el embalaje para evitar rayar el acabado. Guardar la caja de cartón o el empaquetamiento original en caso de que tenga que mandar el ventilador para alguna reparación.

Comprobar las piezas del ventilador con el inventario de piezas y verificar que se incluyeron todas.



## 2. Inventario de piezas.

- a.** unidad del ventilador. 1 unidad
- b.** abrazadera de pared. 1 unidad
- c.** control de pared. 1 unidad
- d.** placa. 1 unidad
- e.** enchufe de 4 cables. 1 unidad
- f.** paquetes de artículos de ferretería

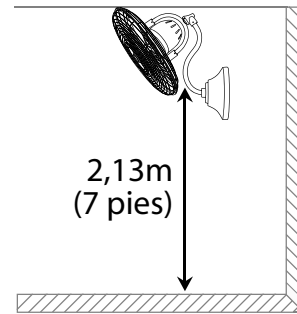


**⚠ RECORDATORIO IMPORTANTE:**  
Se tienen que utilizar las piezas provistas con este ventilador para una instalación adecuada y su seguridad.



### 3. Preparación para la instalación.

Para prevenir daño corporal y otros daños, estar seguro de que el lugar en donde va a colgar el ventilador le permite un espacio libre de 2,13m (7 pies) entre el piso para prevenir contacto accidental con las aspas.

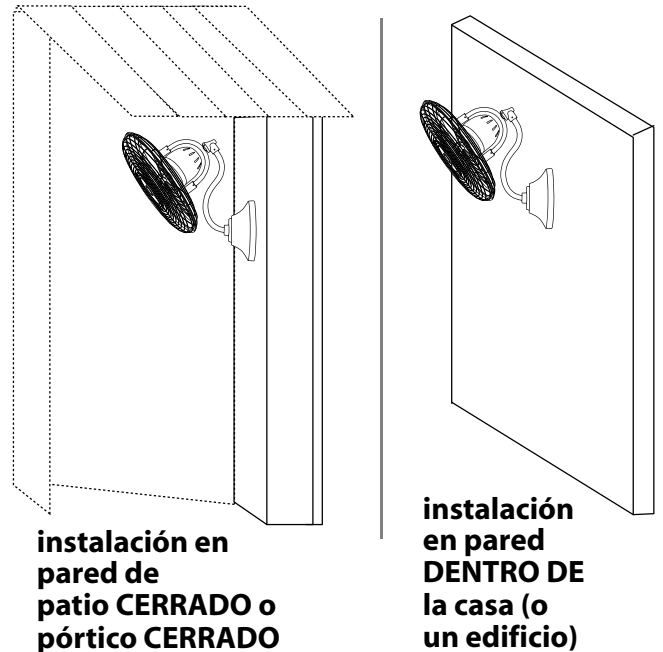


Se puede colgar este ventilador solamente en **una pared DENTRO DE la casa (o un edificio) o en un patio CERRADO o en un pórtico CERRADO.**

**PRECAUCION:** Si va a sujetar el ventilador a un entramado o un poste de madera, el entramado o el poste de madera debe ser lo suficiente ancho y grueso como para sostener la abrazadera de pared y el peso del ventilador.

**Se necesitan las herramientas siguientes para la instalación:**

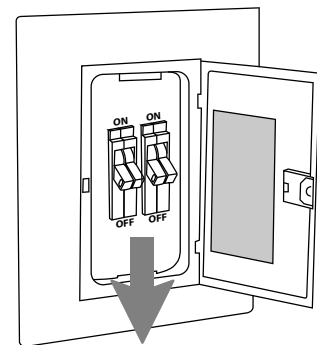
Destornillador de estrella Phillips, destornillador de paleta (plano), alicates ajustables o llave de tuercas y escalera de tijera



### 4. Instalación de la abrazadera de pared.

Apagar los cortacircuitos en el panel de electricidad que suplen corriente a la caja de salida y asegurarse de que el interruptor de luz esté APAGADO.

**ADVERTENCIA:** El no desconectar el suministro de fuerza antes de la instalación puede tener por resultado lesiones graves.



[La "Instalación de la abrazadera de pared" continúa en la página siguiente.]

## 4. Instalación de la abrazadera de pared. (cont.)

Primero determinar la posición aproximada de dónde va a querer ubicar el ventilador en la pared. [Recordar que el ventilador se debe instalar a por lo menos 2,13 m (7 pies) arriba del nivel del piso.]

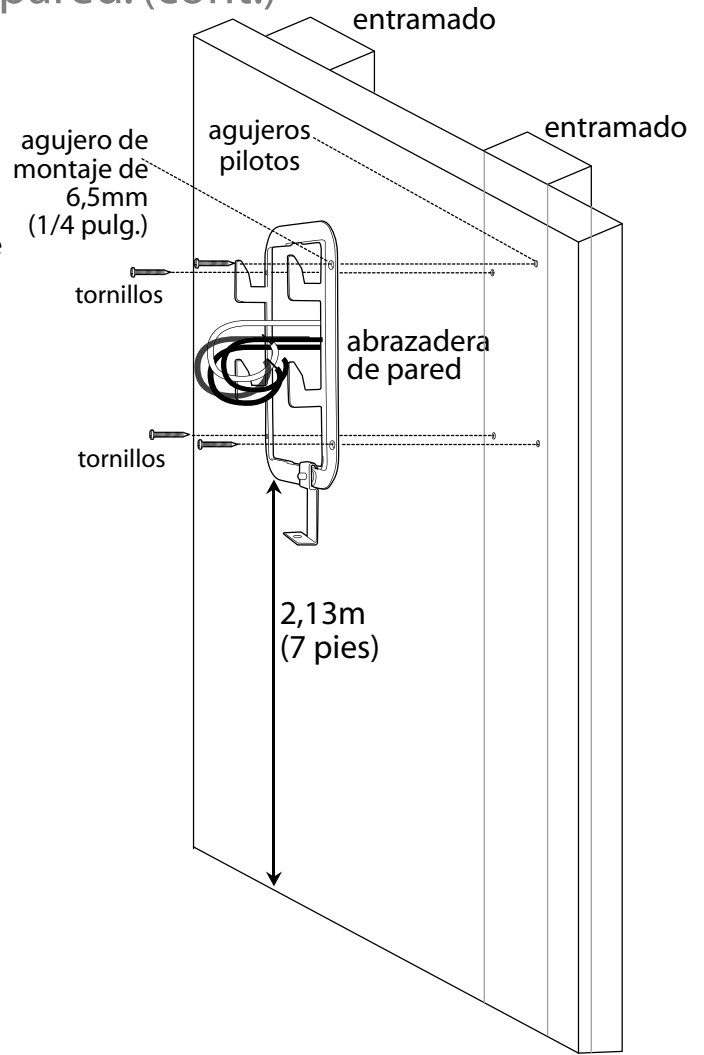
**NOTA:** Asegurar que haya una fuente de electricidad cerca de la posición aproximada, como una caja de salida existente o una toma de corriente, ya que será necesario jalar los cables de alimentación a través de la abertura en el centro de la abrazadera de pared.

DEBE usar **LOS CUATRO** agujeros en la abrazadera de pared al momento de instalarla. Colocar la abrazadera de pared en el entramado o en un poste de madera y marcar las posiciones de los 4 agujeros.

Taladrar 4 **agujeros pilotos** en los agujeros que se marcaron en el superficie de montaje. Colocar la abrazadera de pared encima de los agujeros pilotos e introducir un tornillo (proporcionado en uno de paquetes de artículos de ferretería) en cada agujero.

**INSTALACION ALTERNATIVA EN PARED DE CONCRETO:** Usar los 4 agujeros de montaje de 6,5mm (1/4 pulg.) al instalar la abrazadera de pared en una pared de concreto. Las anclas de pared para concreto de 5mm (3/16 pulg.) que se necesitan para este tipo de instalación NO vienen incluidas y se deben comprar por separado. **Asegurarse de que las anclas de pared para concreto puedan soportar un total de 36,29 kg (80 lb).**

**ADVERTENCIA:** Es muy importante usar los artículos de ferretería correctos al instalar la abrazadera de pared como esto servirá para apoyar el ventilador.



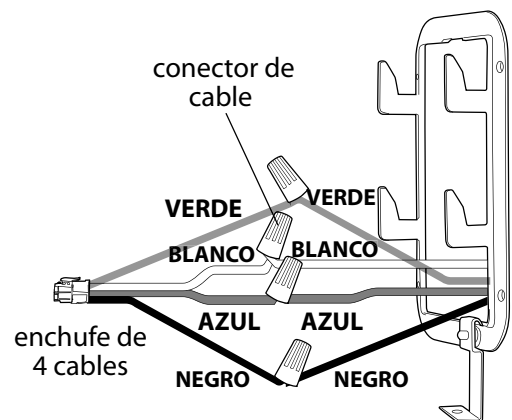
## 5. Instalación eléctrica.

Asegurarse de que todas las conexiones eléctricas cumplan con los Códigos o las Ordenanzas Locales y el Código Nacional Eléctrico (o el Código eléctrico del Canadá). Si usted no está familiarizado con el alambrado eléctrico o los cables de la casa/edificio son de colores diferentes a los cuales se refieren a continuación, favor de buscar un electricista calificado.

**ADVERTENCIA:** Si va a utilizar este ventilador en un lugar HUMEDO, hay que conectar el ventilador a un circuito de alimentación que esté protegido por un Interruptor de Circuito de Falla de Tierra (GFCI, por sus siglas en inglés) para reducir el riesgo de daño corporal, descarga eléctrica o la muerte.

Conectar los cables que salen del enchufe de 4 cables a los cables de alimentación (de la pared) como sigue:

Conectar el cable **VERDE** del enchufe de 4 cables al cable **VERDE/DESNUDO** de la pared con un conector para cable provisto. Conectar el cable **NEGRO** del enchufe de 4 cables al cable **NEGRO** de la pared con un conector para cable provisto. Conectar el cable **BLANCO** del enchufe de 4 cables al cable **BLANCO** de la pared con un conector para cable provisto. Conectar el cable **AZUL** del enchufe de 4 cables al cable **AZUL** de la pared con un conector para cable provisto.



## 5. Instalación eléctrica. (cont.)

**PARA HACER LA INSTALACION ELECTRICA DEL CONTROL DE PARED**, quitar el interruptor de pared existente. Alambrear el **CONTROL DE PARED** con los conectores para cable provistos así como se muestra en el *diagrama al lado*.

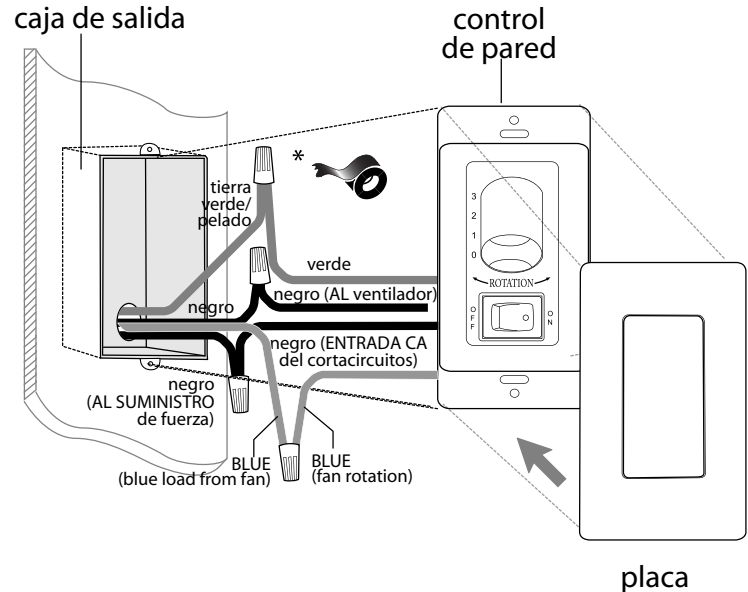
\* Como una medida de seguridad adicional, envolver cada conector para cable con cinta aisladora. Delicadamente meter los conectores para cable dentro de la caja de salida.

**ADVERTENCIA: CONECTAR LOS CABLES SOLAMENTE EN EL ORDEN QUE SIGUE!**

Conectar el conductor a tierra **VERDE** al conductor a tierra de la casa o directamente a uno de los tornillos de la caja de salida.

Conectar un cable **NEGRO** del control de pared al cable principal **NEGRO** (caliente) de la casa.  
Conectar el otro cable **NEGRO** del control de pared al cable de carga **NEGRO** del ventilador.

Sujetar el control de pared a la caja de salida y asegurarlo con los tornillos del interruptor de pared original. Sujetar la placa delantera al control de pared usando los 2 tornillos provistos con el control de pared.



Las modificaciones no aprobadas por la parte responsable de la conformidad podrían invalidar la autorización del usuario para manejar el equipo.

\*NOTA: Se han hecho pruebas en este equipo y se ha comprobado que cumple con los límites para un aparato digital de clase B, de acuerdo con la Parte 15 de las Reglas de la FCC. Se concibieron estos límites para proveer protección razonable contra la interferencia adversa en una instalación residencial. Este equipo produce, usa y puede radiar energía de radiofrecuencia y, si no se instala y no se usa según las instrucciones, puede causar interferencia adversa en la radiocomunicación. Sin embargo, no hay ninguna garantía de que no habrá interferencia en una instalación en particular. Si este equipo sí causa interferencia adversa en la recepción de radio o televisión, que se puede determinar apagando y prendiendo el equipo, se le urge al usuario a intentar rectificar la interferencia tomando una o más de las medidas que siguen:

- \* Orientar la antena de nuevo o localizarla en otro sitio.
- \* Aumentar la separación entre el equipo y el receptor.
- \* Conectar el equipo a un tomacorriente en un circuito distinto al cual está conectado el receptor.

Solicitar ayuda del distribuidor o un técnico de radio/televisión.

## 6. Instalación del ventilador.

**Sugerencia:** Solicitar ayuda de otra persona para sujetar la escalera y para subirle el ventilador una vez que esté preparado en la escalera para colgarlo.

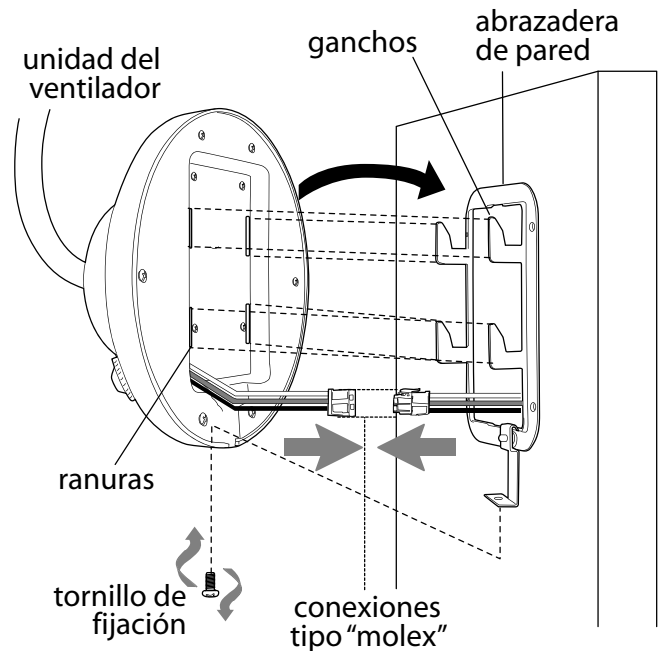
Quitar el tornillo de fijación de la parte inferior de la unidad del ventilador. Ya que esté sujeta la abrazadera de pared a la pared y capaz de apoyar el ventilador, Ud. está listo para colgar el ventilador.

Conectar el enchufe de 9 cables de la parte interior de la unidad del ventilador al enchufe de 9 cables de la pared. Asegurarse de que las conexiones tipo "molex" se cierren bien con un clic.

Agarrar la unidad del ventilador firmemente con las dos manos. Alinear las 4 ranuras de en medio de la parte trasera de la unidad del ventilador con los 4 ganchos en la abrazadera de pared y jalar firmemente hacia abajo en la unidad del ventilador.

**ADVERTENCIA:** Asegurarse de que los 4 ganchos en la abrazadera de pared se metan completamente en las 4 ranuras de la unidad del ventilador y que la unidad del ventilador esté estable.

Volver a introducir el tornillo de fijación en la parte inferior de la abrazadera de pared--*asegurarse de apretar bien el tornillo de fijación.*



## 7. Operación del control de pared.

**0** - APAGA el ventilador

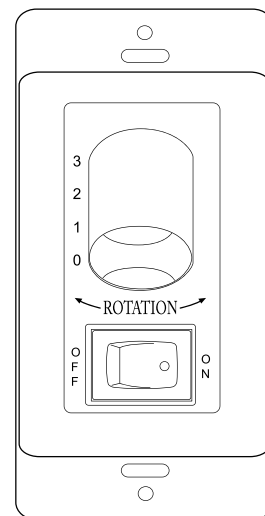
**1** - pone el ventilador en velocidad BAJA

**2** - pone el ventilador en velocidad MEDIA

**3** - pone el ventilador en velocidad ALTA

**ON** - ENCIENDE la función de oscilación

**OFF** - APAGA la función de oscilación



## 7. Verificación del funcionamiento del ventilador.

Se le recomienda poner el ventilador a prueba antes de terminar la instalación. Regresar la corriente de electricidad en el cortacircuitos y el interruptor de la luz en la pared (si se aplica). Verificar las velocidades del ventilador con el control de pared. Empezar en estado de apagado, "0," (sin movimiento de las aspas) y experimentar con las 3 diferentes velocidades del ventilador. Poner a prueba la función de oscilación con el botón ON/OFF (ENCENDIDO/APAGADO).

Si el ventilador no funciona bien, favor de referirse a la sección "Localización de fallas" para resolver cualquier asunto antes de comunicarse con el Servicio al Cliente.

### Localización de fallas.

**ADVERTENCIA:** *El no desconectar el suministro de fuerza eléctrica antes de hacer localización de fallas para cualquier problema de instalación eléctrica puede causar lesiones graves.*

**Problema:** El ventilador no funciona.

**Soluciones:**

1. Inspeccionar el interruptor de pared del ventilador.
2. Verificar la instalación eléctrica del control de pared.
3. Verificar que el dial en el control de pared está puesto en velocidad Alta (3), Media (2), o Baja (1).
4. Verificar la instalación eléctrica del conector de 4 cables.
5. Asegurarse de que las conexiones tipo "molex" del ventilador a la pared se cierren bien con un clic.

**Problema:** El ventilador no oscila.

**Soluciones:**

1. Inspeccionar el interruptor de pared del ventilador.
2. Verificar que el botón en el control de pared está puesto en posición de ENCENDIDO.

**Problema:** El ventilador se tambalea.

**Soluciones:**

1. Verificar que la abrazadera de pared está sujeta bien.
2. Verificar que el ventilador está sujeta bien en la barra de la abrazadera del ventilador.
3. Verificar que el tornillo de fijación en la base de la abrazadera de pared está sujeta bien.

## Garantía.

**GARANTIA LIMITADA DE POR VIDA DE CRAFTMADE/ELLINGTON:** CRAFTMADE/ELLINGTON garantiza este ventilador al comprador original de grupo familiar para uso en lugares húmedos (lo cual se define como dentro de la casa o un edificio, en un porche cerrado o un pórtico cerrado) con las siguientes condiciones:

**GARANTIA DE 1 AÑO:** CRAFTMADE/ELLINGTON reemplazará o reparará cualquier ventilador que tenga funcionamiento deficiente debido a defectos en los materiales o trabajo manual. Comunicarse con el Servicio al Cliente de

CRAFTMADE/ELLINGTON al **1-800-486-4892** para acordar el reenvío del ventilador. Devolver el ventilador, con los gastos de envío propagados, a Craftmade/Ellington. Nosotros repararemos o reemplazaremos el ventilador y pagaremos los gastos de envío de regreso.

**GARANTIA DE 5 AÑOS:** CRAFTMADE/ELLINGTON reemplazará o reparará sin costo al comprador original, cualquier motor de ventilador que no funcione de manera satisfactoria a causa de uso normal.

**DEVOLVER EL MOTOR SOLAMENTE,** los gastos de envío propagados, a Craftmade/Ellington. Nosotros repararemos el motor al comprador o le enviaremos uno de reemplazo y Craftmade/Ellington pagará los gastos de envío de regreso.

**GARANTIA LIMITADA DE 6 AÑOS hasta DE POR VIDA:**

CRAFTMADE/ELLINGTON reparará el ventilador, sin costo al comprador original por el coste laboral, si el motor del ventilador no funciona satisfactoriamente a causa del uso normal. Las piezas que se utilizan en hacer la reparación serán facturadas al comprador a los precios prevaletientes en el momento de la reparación.

El comprador original será responsable de todos los gastos incurridos en sacar, reinstalar y enviar el producto para reparación.

Esta garantía no se aplica cuando el ventilador tenga daños por uso al aire libre y/o por abuso mecánico, físico, eléctrico o por agua resultando en su mal funcionamiento. Se exenta específicamente el deterioro en el acabado u otras partes debido al tiempo o exposición al aire marino bajo esta garantía.

Ni Craftmade/Ellington ni el fabricante se harán responsables por lo que pasa por una instalación inadecuada o el uso impropio de este producto. La compañía no se hará responsable en ningún caso de ningún daño emergente por incumplimiento de esta o cualquier otra garantía expresada o implicada en absoluto. Esta limitación de daños emergentes no se aplicará en estados donde es prohibido.

## Piezas de repuesto.

Para piezas o información, referirse al "Inventario de piezas" en la página 2.

Servicio al cliente de Craftmade/Ellington:

**1-800-486-4892**

[www.craftmadebrands.com](http://www.craftmadebrands.com)

# Craftmade

CEILING FANS

Est. 1985